

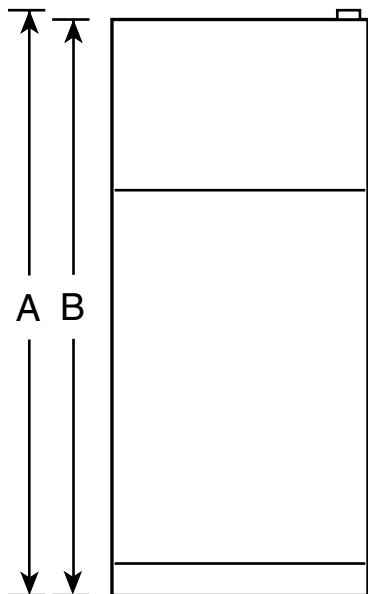


GE Appliances

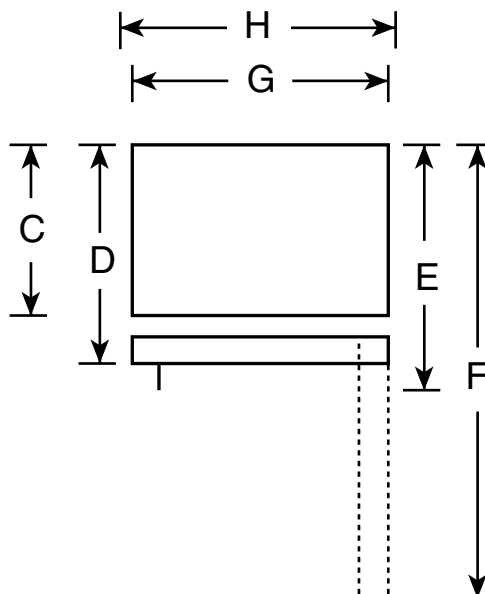
GTS18DCP – GE® 18.0 Cu. Ft. Top-Freezer Refrigerator with Icemaker

Dimensions (in inches)

Front View



Top View



Overall Dimensions	Height to top of hinge (in.) A	66-5/8
	Height to top of case (in.) B	66-1/8
	Height to mid-freezer (in.)	53-15/16
	Case depth without door (in.) C	27-1/2
	Case depth less door handle (in.) D	30-1/4
	Case depth with door handle (in.) E	32-1/8
	Depth with fresh food door open 90° (in.) F	58-1/8
	Width (in.) G	29-1/2
Air Clearances	Width with door open 90° less door handle (in.) H	30
	Each side (in.)	1/8
	Top (in.)	1
	Back (in.)	1

Note: All Top-Freezer No-Frost Right-Hand Refrigerator Doors: As you face the front of the refrigerator, the handle is on your left and the hinges are on your right.
All Top-Freezer No-Frost Left-Hand Refrigerator Doors: As you face the front of the refrigerator, the handle is on your right and the hinges are on your left.



Total volume and shelf area are calculated by the Association of Home Appliance Manufacturers' standards.



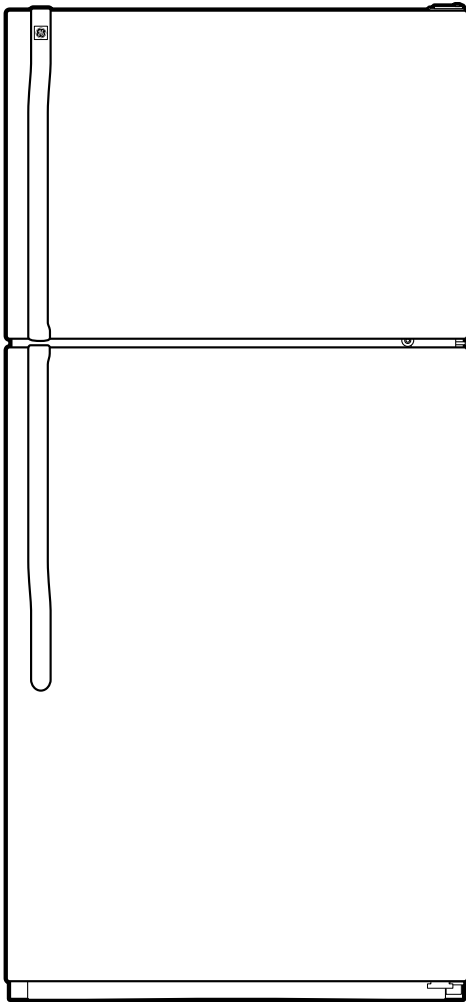
Listed by Underwriters Laboratories





GE Appliances

GTS18DCP – GE® 18.0 Cu. Ft. Top-Freezer Refrigerator with Icemaker



Features and Benefits

- Upfront Temperature Controls – Are positioned up front, close at hand, for maximum convenience and ease of use
- Vegetable/Fruit Crisper – Provides the ideal storage environment for fruits and vegetables
- Automatic Moisture Control – Electronic sensors automatically control moisture, adjusting to room humidity changes
- Adjustable Gallon Door Bins – Makes room for milk and other gallon-size containers
- NeverClean™ Condenser – Condenser coils are encased, so they don't require cleaning in normal operating environments
- Deluxe Quiet Design – Significantly reduces operating noise
- Model GTS18DCPWW – White on white
- Model GTS18DCPCC – Bisque on bisque
- Model GTS18DCPBB – Black on black